

KBMK

Digital AC Drive

- All Aluminum
NEMA-1 / IP-50 Enclosure
- Flux Vector Compensation
with Static Auto-Tune and Boost
- Input 115/230V
- 200% Starting Torque
- Horsepower Range
1/8 HP – 1 HP
- GFCI Compatible
- Multi-Function
Output Relay Contacts
- UL, cUL and CE Approved
- **Build-A-Drive Options:**
 - On/Off AC Line Switch
 - Class "A" (CE) RFI Filter
 - Input/Output Multi-Function Module



Automation and Control

KB Electronics, Inc.
kbelectronics.com • info@kbelectronics.com

Ratings and Weights

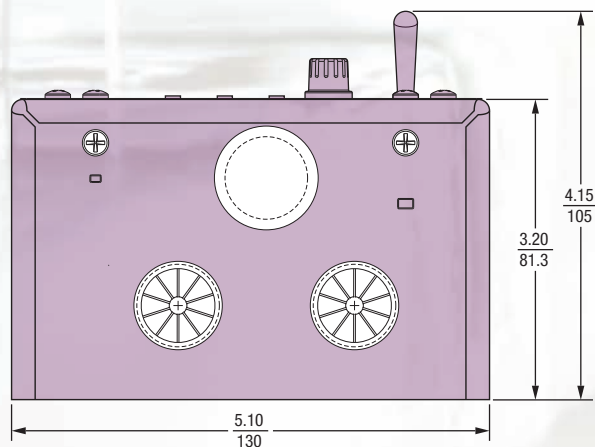
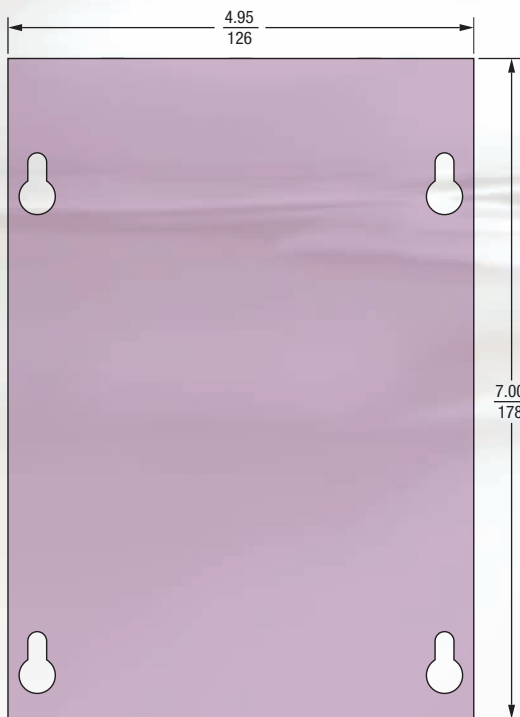
115/230 VAC 1-Phase Input • 230 VAC 3-Phase Output

Model No.	Ratings		Net Weight	
	HP, (kW)	Amps	Lbs.	kg
KBMK-24D	1, (0.75)	3.6	2.26	1.03
KBMK-24DF	1, (0.75)	3.6	2.33	1.06

Specifications

Maximum Load (% of Current Overload for 2 Minutes)	150
Switching Frequency (kHz)	8, 10, 12
Output Frequency Resolution (Bits, Hz)	10, 0.06
Minimum Output Frequency to Motor (Hz)	0.3
Acceleration Time (Seconds)	0.1 – 180.0
Deceleration Time (Seconds)	0.3 – 180.0
Speed Range (Ratio)	60:1
Speed Regulation (30:1 Speed Range, 0 – Full Load) (% Base Speed)	2.5
Stalled Motor Trip Time (Seconds)	6
Braking	DC Injection
Operating Temperature Range (°C / °F)	0 – 40 / 32 – 104
Storage Temperature (°C / °F)	-25 – +85 / -13 – +185

Dimensions – (Inches/mm)



Represented by:



KB ELECTRONICS, INC.
 (954) 346-4900 • Fax (954) 346-3377
 Outside Florida Call Toll Free (800) 221-6570
 info@kbelectronics.com • www.kbelectronics.com