

# INSTALLATION INSTRUCTIONS

## POWER ON/OFF SWITCH Part No. 9486 for Model KBRC-240D



**SAFETY WARNING! Please read carefully before proceeding.**

This product should be installed and serviced by a qualified technician, electrician, or electrical maintenance person familiar with its operation and the hazards involved. Proper installation, which includes wiring, mounting in proper enclosure, fusing or other overcurrent protection, and grounding can reduce the chance of electrical shocks, fires, or explosion in this product or products used with this product, such as electric motors, switches, coils, solenoids, and/or relays. Eye protection must be worn and insulated adjustment tools must be used when working with control under power. This product is constructed of materials (plastics, metals, carbon, silicon, etc.) which may be a potential hazard. Proper shielding, grounding and filtering of this product can reduce the emission of radio frequency interference (RFI) which may adversely affect sensitive electronic equipment. If further information is required on this product, contact the Sales Department.

It is the responsibility of the equipment manufacturer and individual installer to supply this Safety Warning to the ultimate end user of this product. (1/2001)

### DESCRIPTION

The Power On/Off Switch assembly is designed to provide a positive AC line power disconnect. It can be installed in lieu of, or in addition to, the factory installed Start/Stop Switch assembly. The switch is double pole which is used to disconnect both AC lines. If only one AC line is to be disconnected, a single pole can be used. Refer to local electrical codes that apply. The Power On/Off Switch assembly contains two (2) blue and two (2) white wires which are terminated with 0.250" female quick-connect terminals.

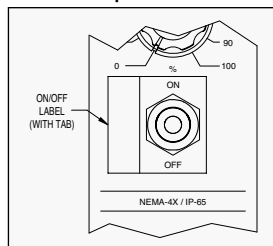
If installing this switch in the Forward-Stop-Reverse location use the ON/OFF label that is supplied (do not remove the label tab). See figure 1A.

If installing this switch in the Auto/Manual location use the ON/OFF label that is supplied (remove the label tab). See figure 1B.

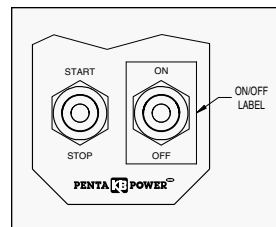
If installing this switch in the Start/Stop location use the OFF/ON label since the keyway is located on the top of the switch hole (remove the label tab). See figure 1C.

These labels are supplied in black and white, to be used with either a black or white case.

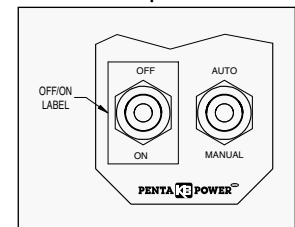
**Figure 1A**  
Forward-Stop-Reverse Location



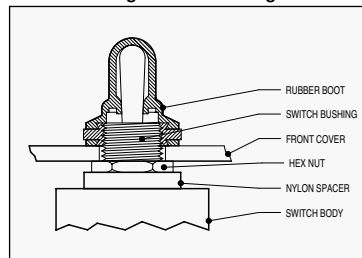
**Figure 1B**  
Auto/Manual Location



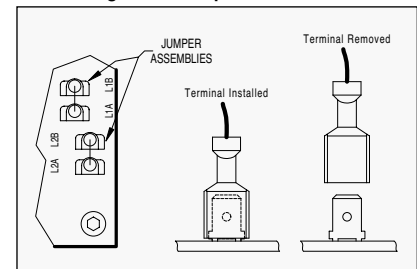
**Figure 1C**  
Start/Stop Location



**Figure 2 - Mounting**



**Figure 3 - Jumper Assemblies**



### MOUNTING

**WARNING!** Make sure that the AC line is disconnected before installing the Power On/Off Switch assembly.

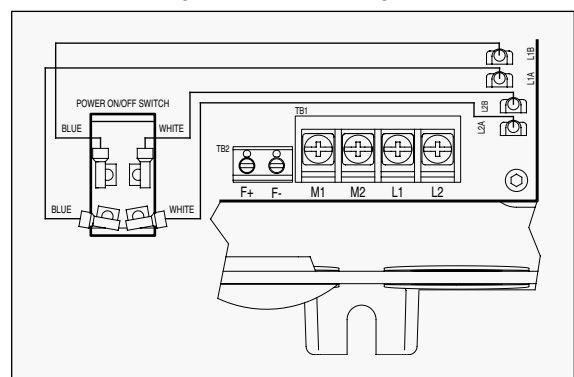
1. Remove one of the rubber hole plug assemblies by unscrewing the retainer nut that is located on the inside of the front cover.
2. Align the switch key in the front cover and mount the Power On/Off Switch assembly using the rubber boot that is provided. Do not overtighten the rubber boot hex nut. See figure 2.

**Note:** The switch bushing should protrude approximately 0.15" (3.8mm) through the front cover.

### WIRING

1. Remove the jumper assemblies that are installed on the L1A & L1B and L2A & L2B terminals of the KBRC-240D PC board. Using pliers, gently rock the female terminals back and forth vertically while pulling them upward. See figure 3.
2. Install the blue wire from the bottom of the Power On/Off Switch assembly to the L1A terminal of the KBRC-240D PC board. See figure 4.
3. Install the other blue wire from the top of the Power On/Off Switch assembly to the L1B terminal of the KBRC-240D PC board. See figure 4.
4. Install the white wire from the bottom of the Power On/Off Switch assembly to the L2A terminal of the KBRC-240D PC board. See figure 4.
5. Install the other white wire from the top of the Power On/Off Switch assembly to the L2B terminal of the KBRC-240D PC board. See figure 4.

**Figure 4 - Connection Diagram**



**KB ELECTRONICS, INC.**

12095 NW 39th Street, Coral Springs, FL 33065-2516 • (954) 346-4900 • Fax (954) 346-3377

Outside Florida Call **Toll Free** (800) 221-6570 • **E-mail** - info@kbelectronics.com

www.kbelectronics.com

(A40132) - Rev. A - 6/2001