

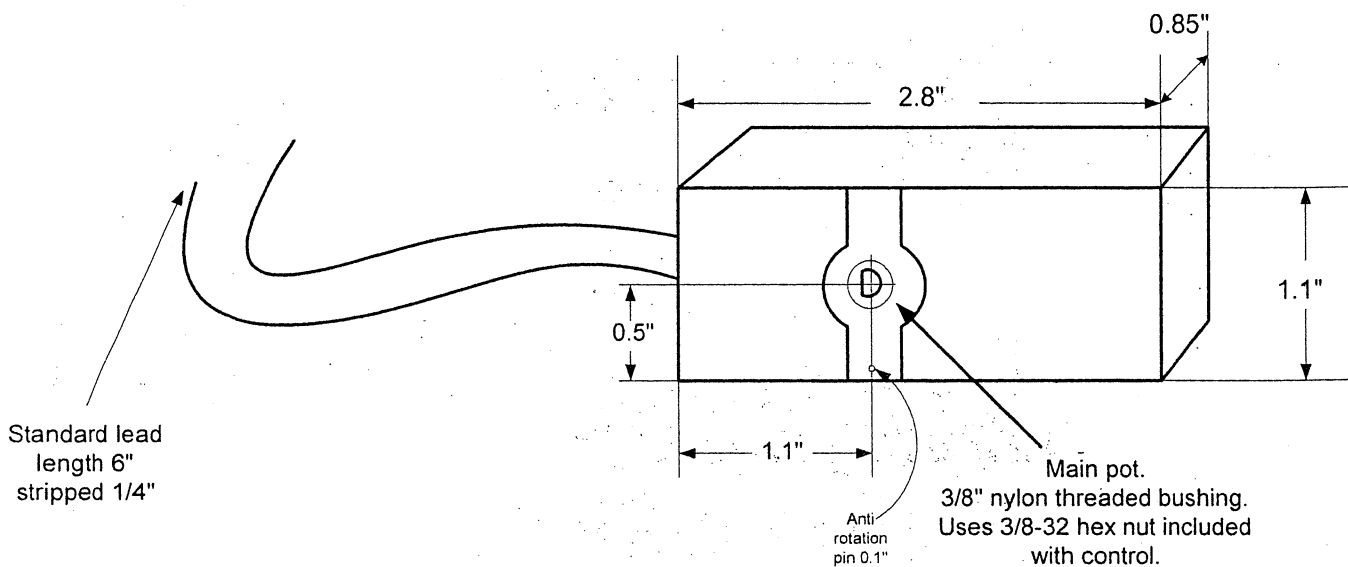


"The Right Control
for your Application"

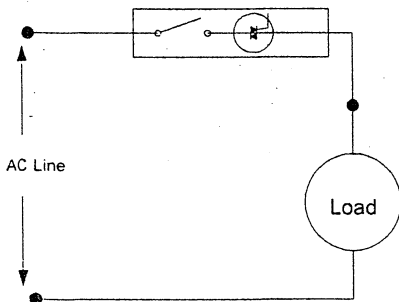
KB ELECTRONICS, INC. • 12095 NW 39th Street, Coral Springs, Florida 33065 -2516
(954) 346-4900 • FAX (954) 346-3377 • E-mail: info@kbelectronics.com
www.kbelectronics.com

KBNH Control Drawing.

AC motor speed control for use with PSC, Shaded Pole, and Universal motors.



Typical connection diagram



KBNH-13BV, Rated 2.5A @ 120VAC 50/60 Hz
Minimum voltage output 65 VAC with 100 watt lamp load.
Built-in On/Off AC line switch and RFI filter.
Pot rotation ON-High speed- Low speed

Notes:

- Add R to model to change pot rotation to Low-High
- Remove V in model to eliminate minimum speed trimpot.
- Remove B in model to remove fiber enclosure.
- Custom calibration available upon request.
- Controls are UL Recognized for USA and Canada and CSA Approved.
- 240 Volt models also available (KBNH-23). Not UL or CSA approved.
- Knob part number 9801